

LEMON SQUEEZE WALL LAMP | DOUBLE

Designed by Søren Ravn Christensen



Surface mounted lamp



DIMENSIONS (L x W x D)

Long double: 94 x 18.5 x 16.2 cm / 37 x 7.3 x 6.3"
Short double: 77 x 18.5 x 16.2 cm / 30.3 x 7.3 x 6.3"



MARKINGS, TESTS & CERTIFICATIONS

CE, UKCA (for indoor use), IP2X



MATERIAL

Steel, glass and PMMA



WARRANTY

10-year warranty against manufacturer defects



WEIGHT

Long double: 3.8 kg / 8.3 lb
Short double: 3 kg / 6.6 lb



WEIGHT INCL. PACKAGING

Long double: 7.3 kg / 16 lb
Short double: 5.9 kg / 13 lb



LIGHT SOURCE

2 x GU10 - max 15W LED (not included)
Compatible with Focused Idea (not included)



PACKAGING DIMENSIONS (L x W x H)

Long double: 34.5 x 103 x 21.2 cm / 13.5 x 40.5 x 8.3"
Short double: 34.5 x 86 x 21.2 cm / 13.5 x 33.8 x 8.3"



ASSEMBLY TIME

20 min



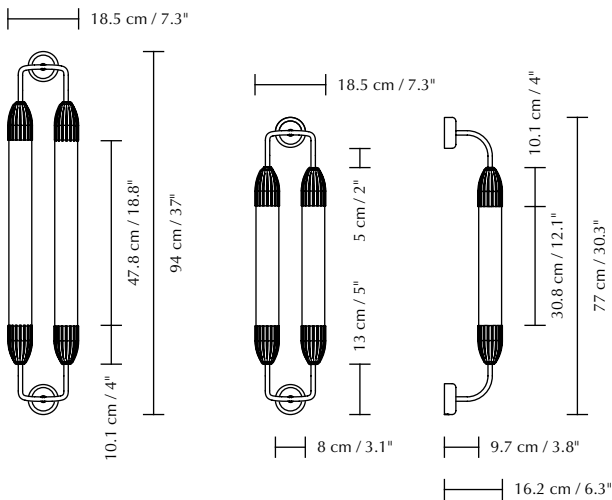
MEDIA KIT

Photos and press material
Download at umage.presscloud.com



ORDERING INFORMATION

Lemon Squeeze long double plated brass	#2201
Lemon Squeeze long double polished steel	#2528
Lemon Squeeze short double plated brass	#2621
Lemon Squeeze short double polished steel	#2624



Colour variations



plated brass



polished steel

RECOMMENDED LIGHT SOURCE(S)

Focused Idea

EU #4225


UMAGE

LEMON SQUEEZE WALL LAMP | DOUBLE

Designed by Søren Ravn Christensen



Evoking nostalgic feelings and soft decorative references, UIMAGE introduces their latest lighting collection – Lemon Squeeze. Combining contemporary elegance with graceful nods to the past, the collection features a selection of wall and pendant lamps available in various sizes and finishes.

The Lemon Squeeze collection is a celebration of light and design, with each lamp crafted from extruded glass with distinctive ripples bracing the surface, providing a unique texture that catches the light. At its core, a diffuser tube ensures gentle, even illumination, creating a serene and harmonious atmosphere. Enhanced by sculptural metal accents, the design exudes understated sophistication with a touch of ornamental charm.

Designed by Søren Ravn Christensen, the Lemon Squeeze collection seamlessly complements any space with its graceful aesthetic and glowing light:

“The Lemon Squeeze Collection creates light that feels light and endless. The straight, uninterrupted rays are so subtle they seem almost invisible, softly brightening every moment of the day and night.”

While rooted in timeless design traditions, the Lemon Squeeze collection combines modern sensibility with memories of another era. Functional yet decorative, the lamps bring warmth and sophistication to any setting—whether brightening a living room, enhancing a hallway, or setting the mood for a relaxed evening.

Find more info on our website umage.com

